

INSTALLATION MANUAL

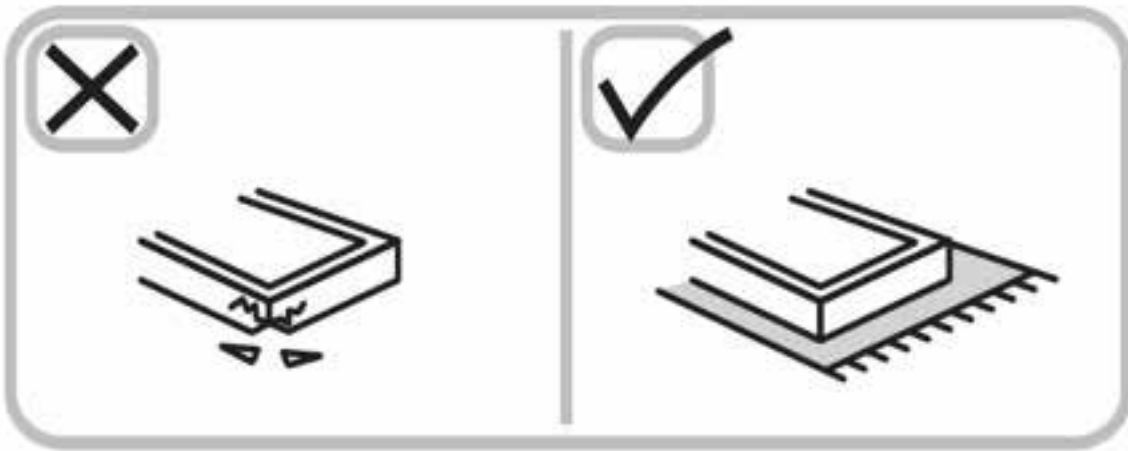
ST-SM-002, SD-SM-003, SD-SM-43-003



Speechi

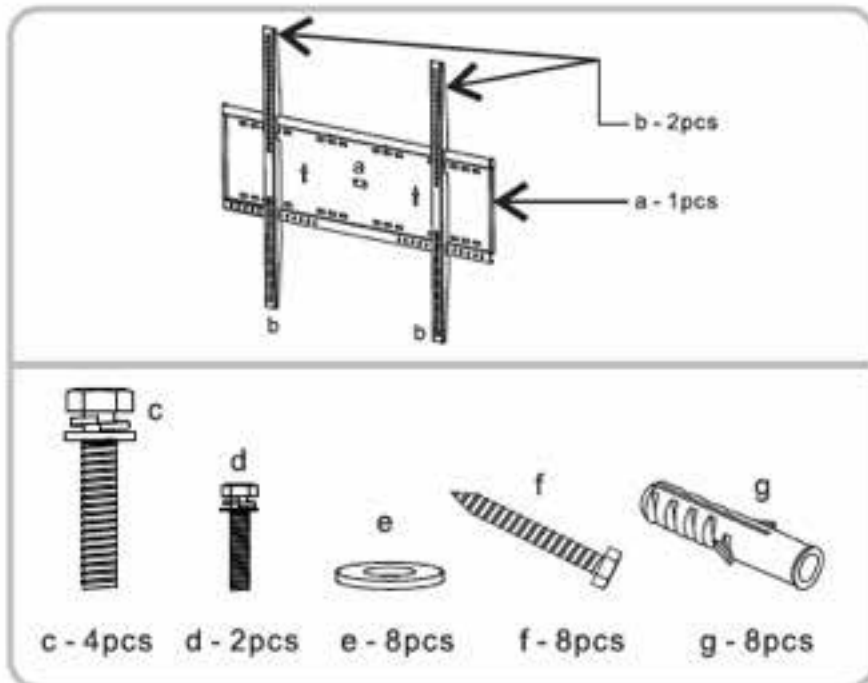
Step 1:

Make a piece of cloth above ground and put the panel on the cloth horizontally, right side up with care. Just like the image below:



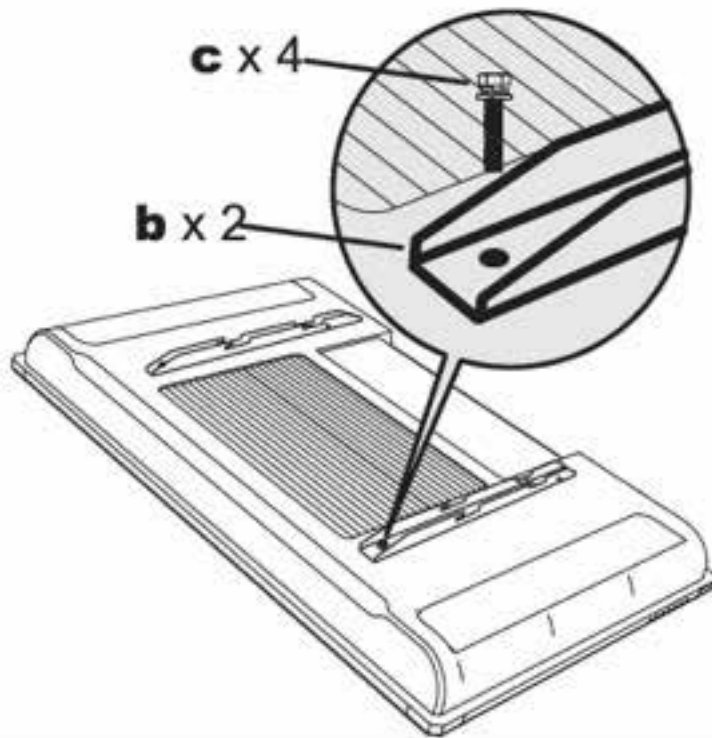
Step 2:

Confirm all parts and quantity according to the list below:



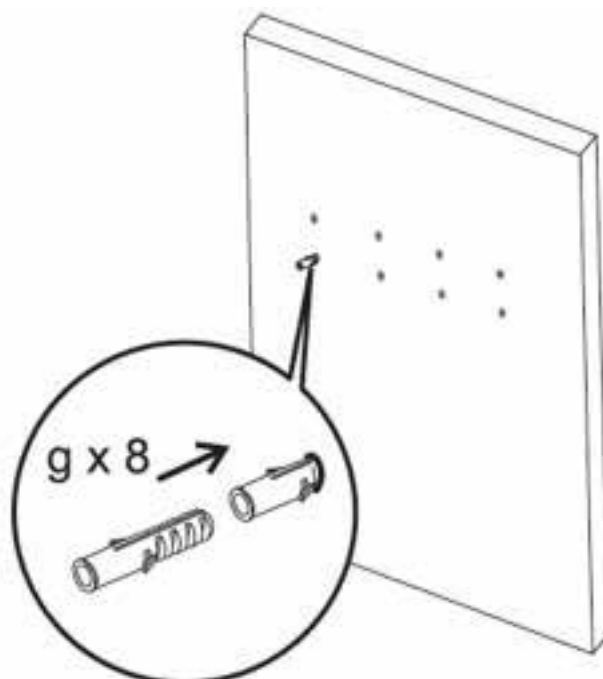
Step 3:

Use **PART C** to fix **PART B** on the back of panel like the image.



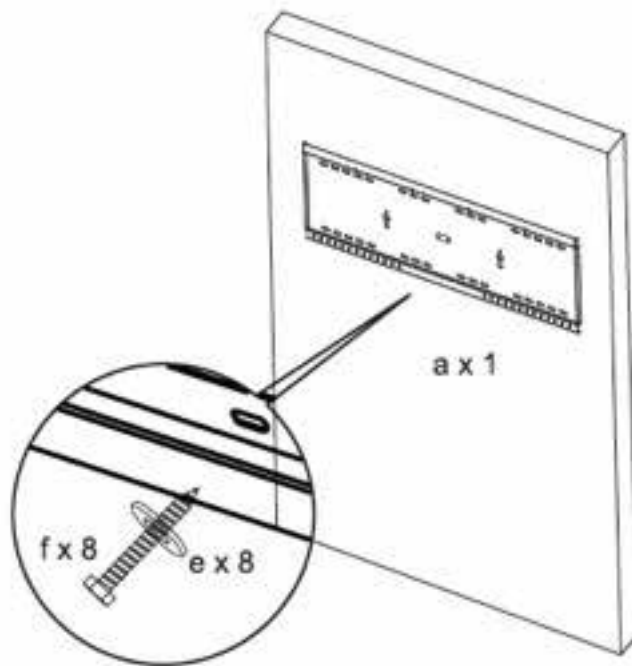
Step 4:

Use 12mm percussion bit to drill 8 holes on the main wall, the depth of each hole should more than 65mm, then use hammer to hammer **PART G** into holes.



Step 5:

Use **PART F** and **PART E** to make the **PART A** on the wall with 8 holes.



Step 6:

Then put the panel on the wall mount vertically like the image.

