

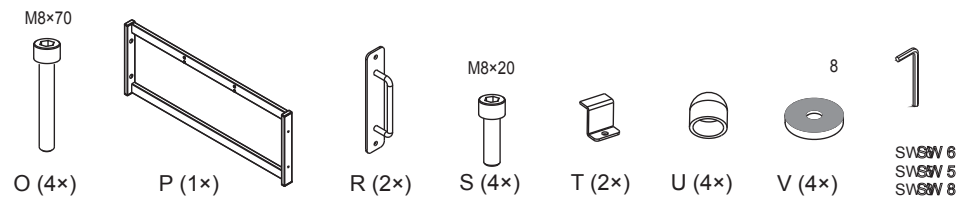
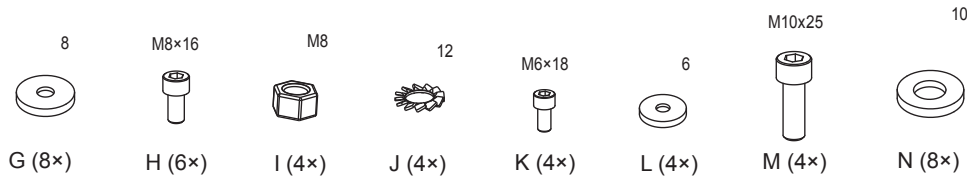
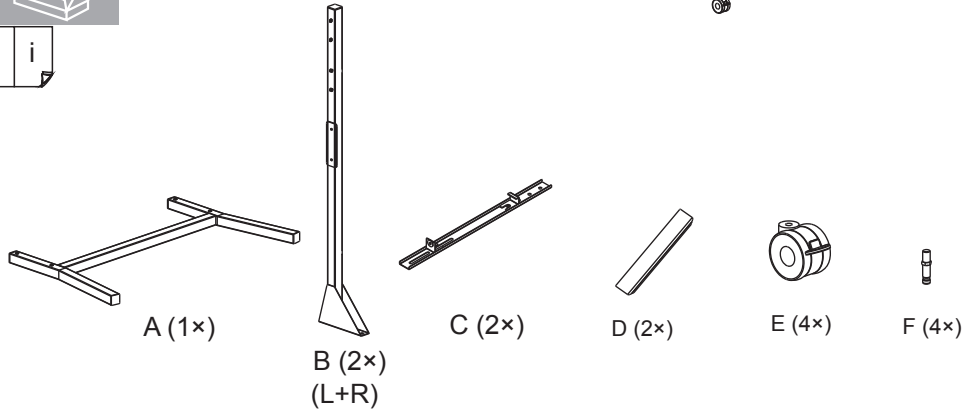
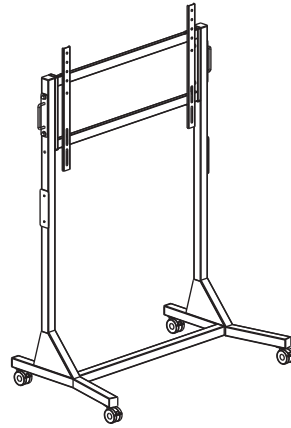
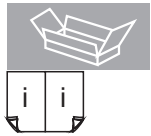
NOTICE DE MONTAGE

ST-SUP-MOB-SIM-VE

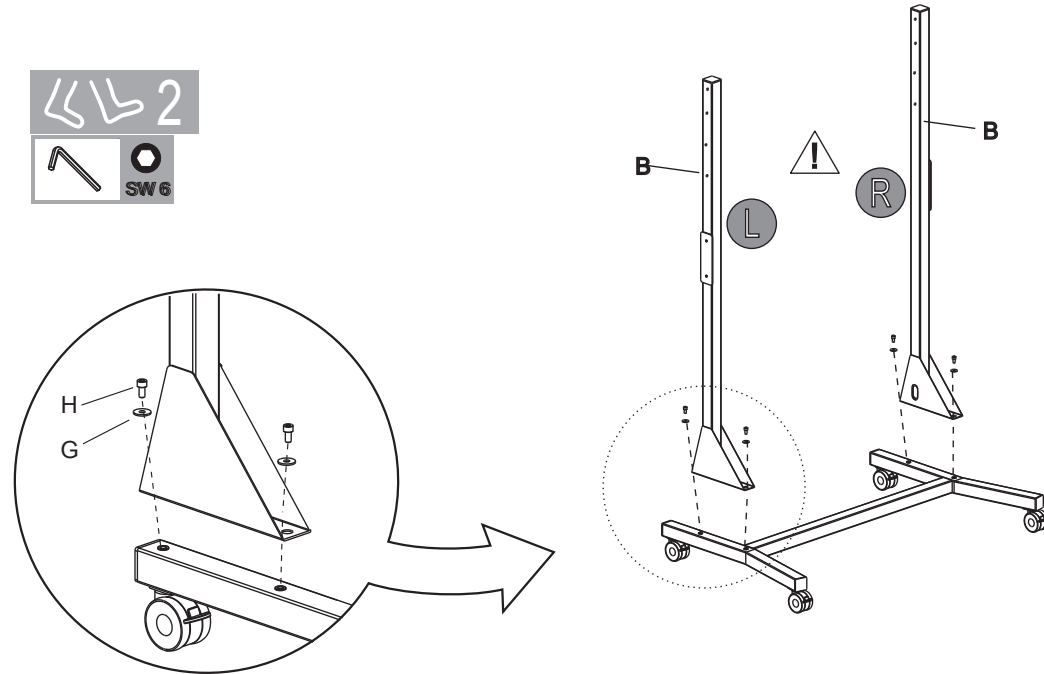
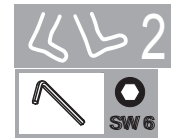
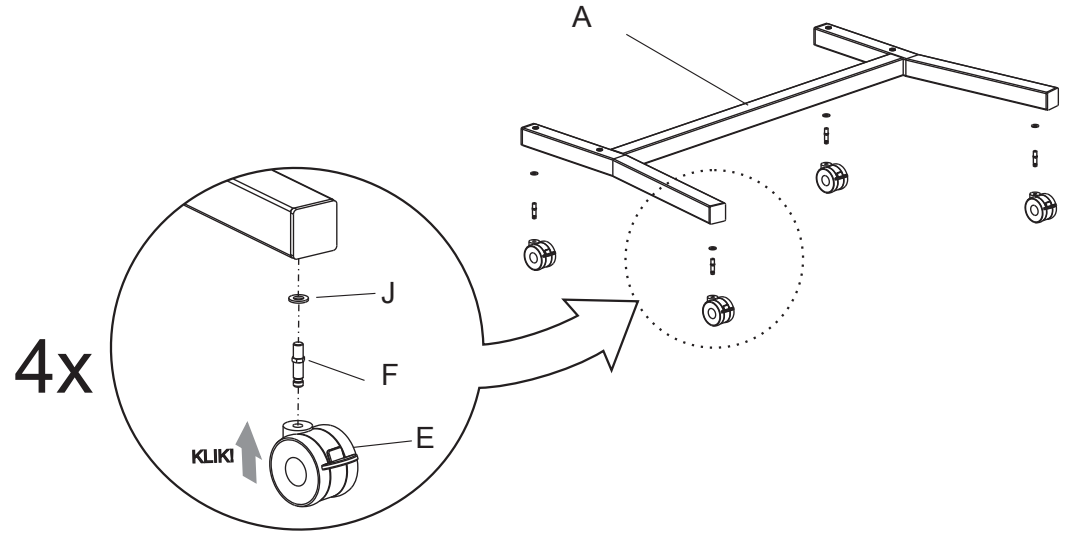


Speechi

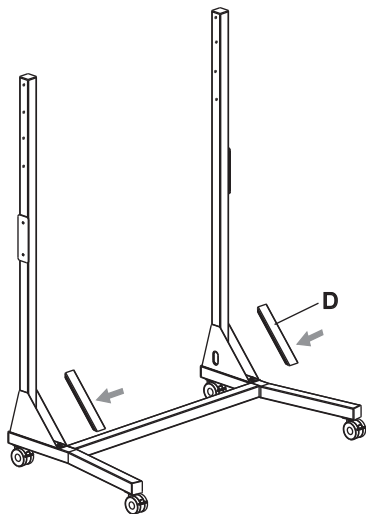
ST-SUP-MOB-SIM-VE



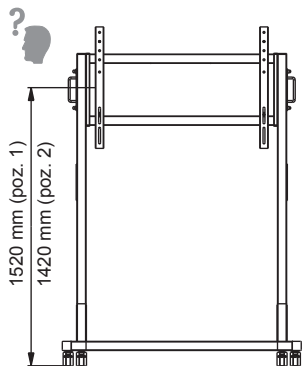
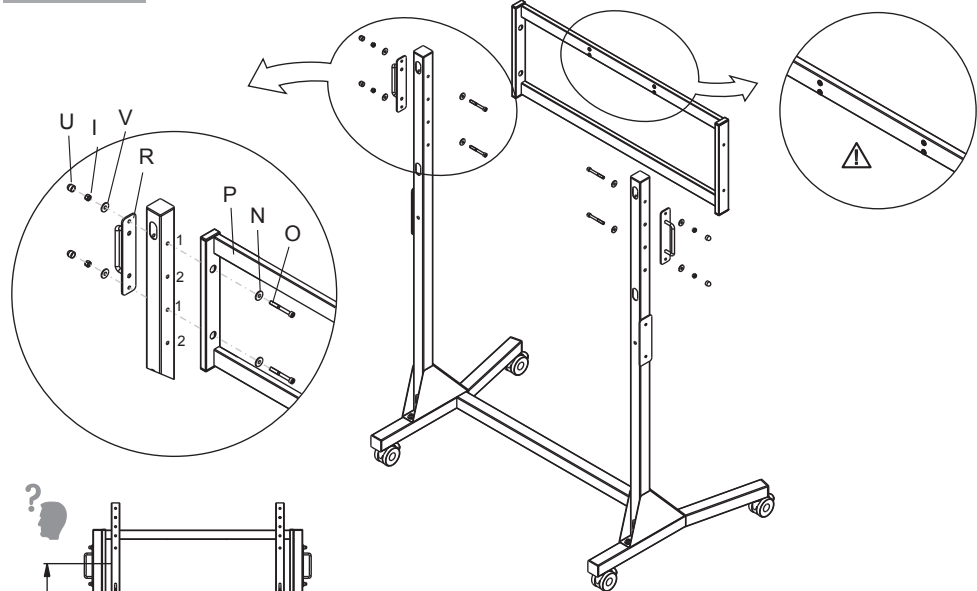
SW 6
SW 5
SW 8



3



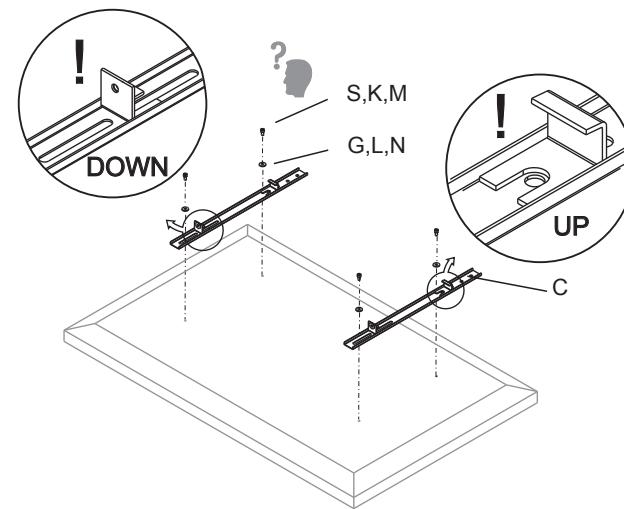
4



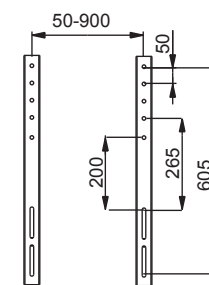
5



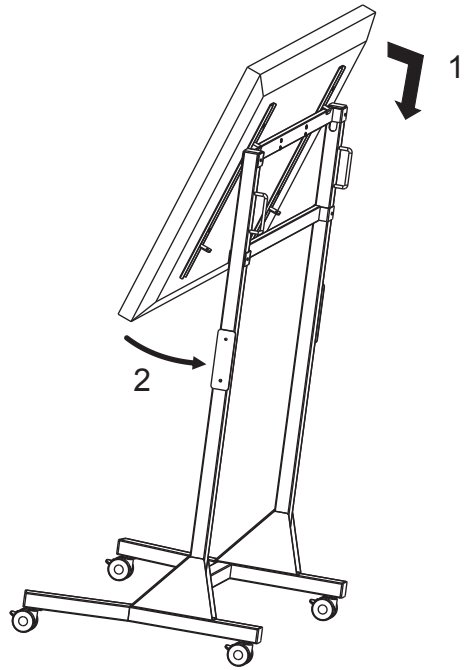
SW 5/6/8 VESA ≤ 900 x 600



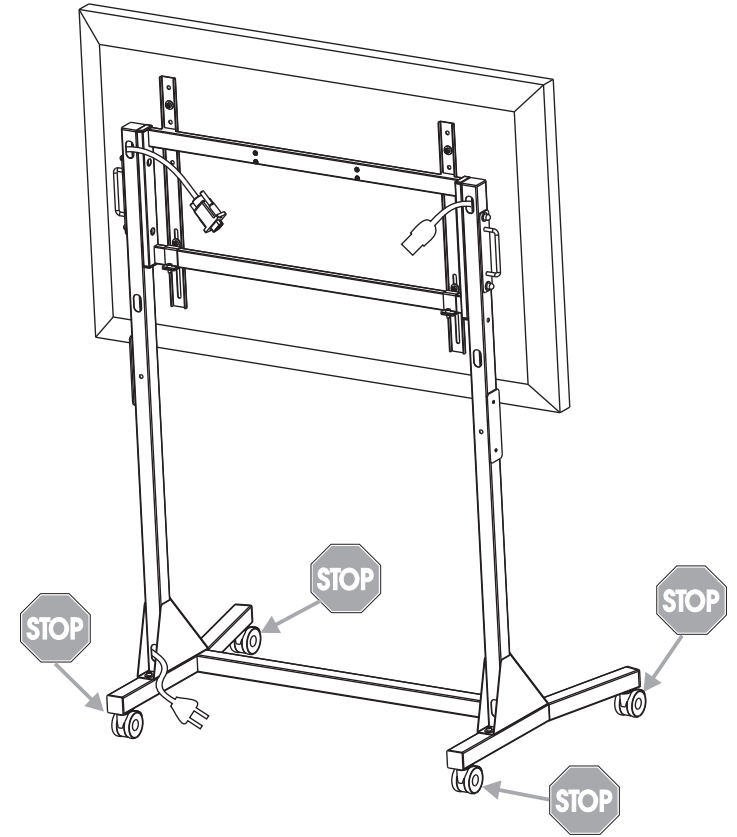
VESA



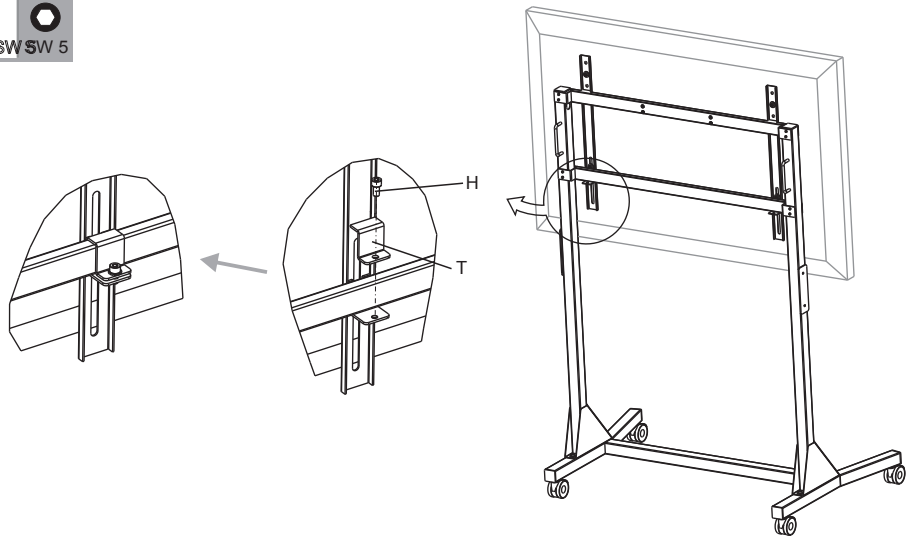
6

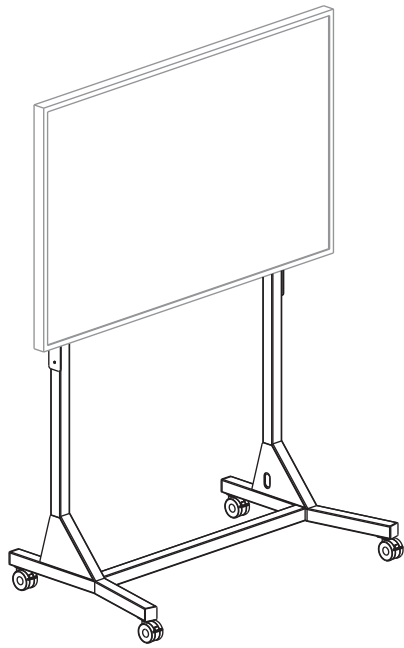


7



7





OPTIONS

