

INSTALLATION MANUAL

ST-SUP-ORI-002

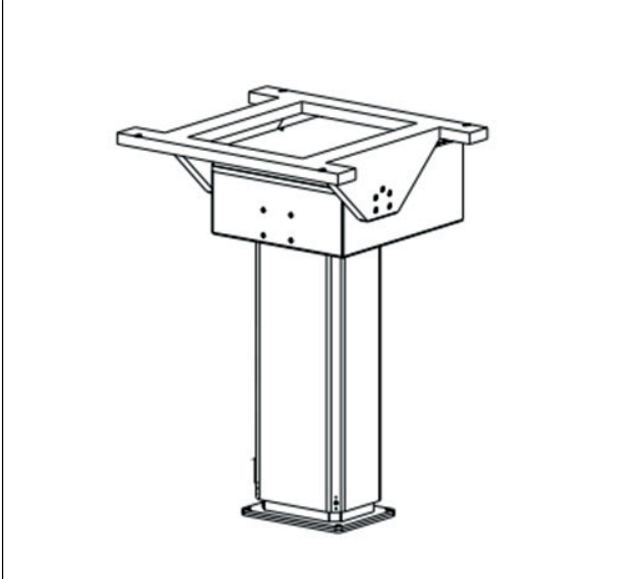


Content

Packing Items	3
Packing Box 1	3
Packing Box 2	3
Screw Items	4
Tools Needed	4
Installation Instruction	5
Notices	10

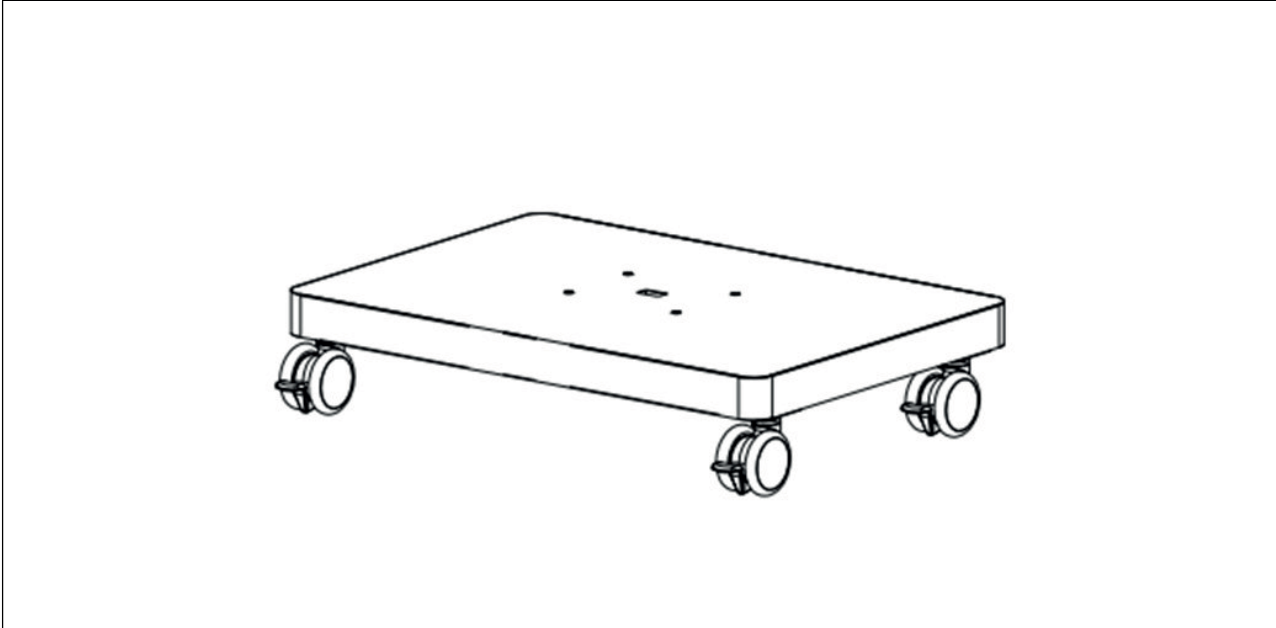
Packing Items

Packing Box 1










Stand Mounting with Vertical Support

Packing Box 2

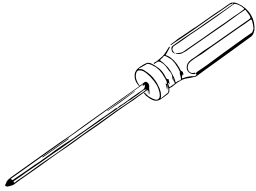





Stand Base

Screw Items

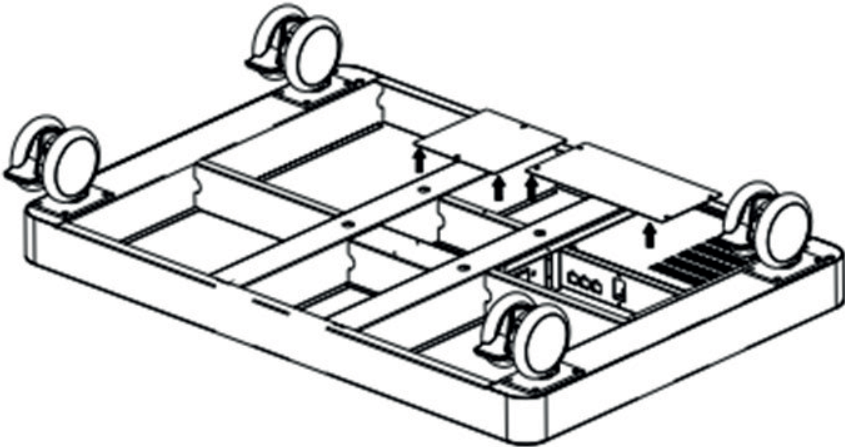
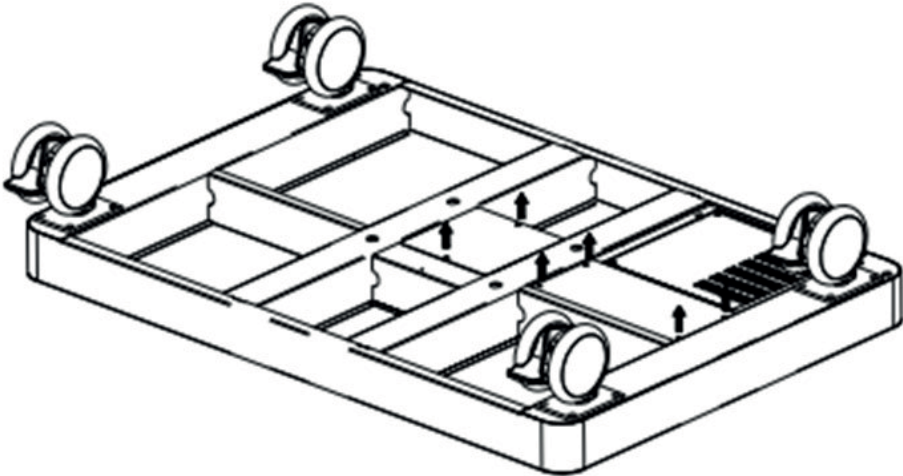
<p>A</p>  <p>x 2</p> <p>M6 *12mm/ Z Mounting Tool</p>	<p>A</p>  <p>x 2</p> <p>M6</p>	<p>C</p>  <p>x 4</p> <p>M10*75mm</p>	<p>E</p>  <p>x 4</p> <p>M6*35mm</p>
<p>E</p>  <p>x 4</p> <p>M8*35mm</p>	<p>E</p>  <p>x 4</p> <p>M6/M8</p>	<p>Accessories Packing</p>  <p>x 4</p> <p>M8*35mm</p>	

Tools Needed

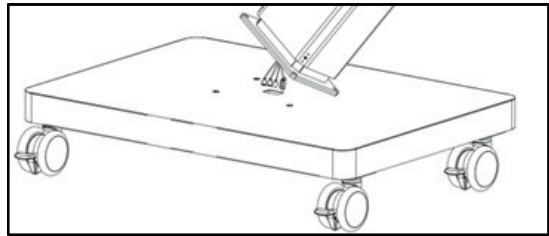
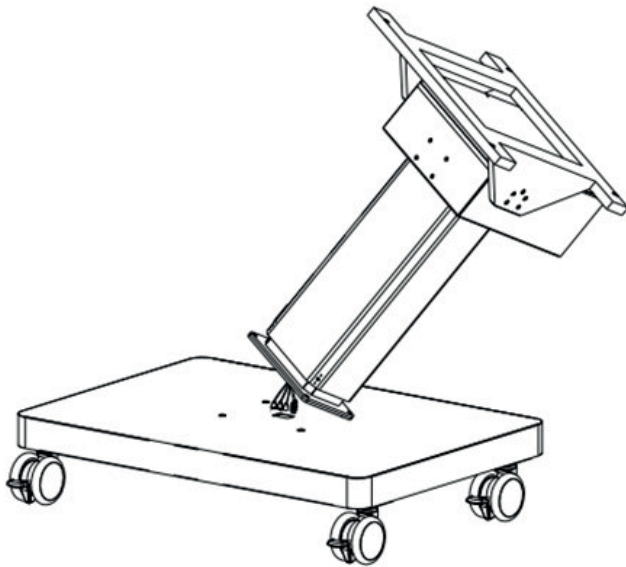
 <p>CrossScrewdriver</p>	 <p>M6 Hex wrench</p>	 <p>M5 Hex Wrench</p>	 <p>M4 Hex Wrench</p>
---	--	---	--

Installation Instruction

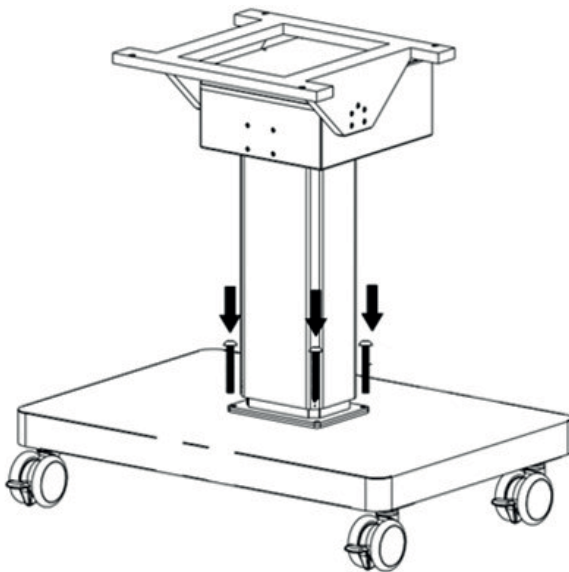
Step 1 Screw for picking the two mental plates out.



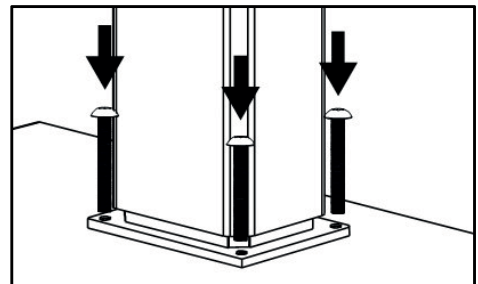
Step 2: Push the electric cords of the vertical support to the center hole of the stand base.



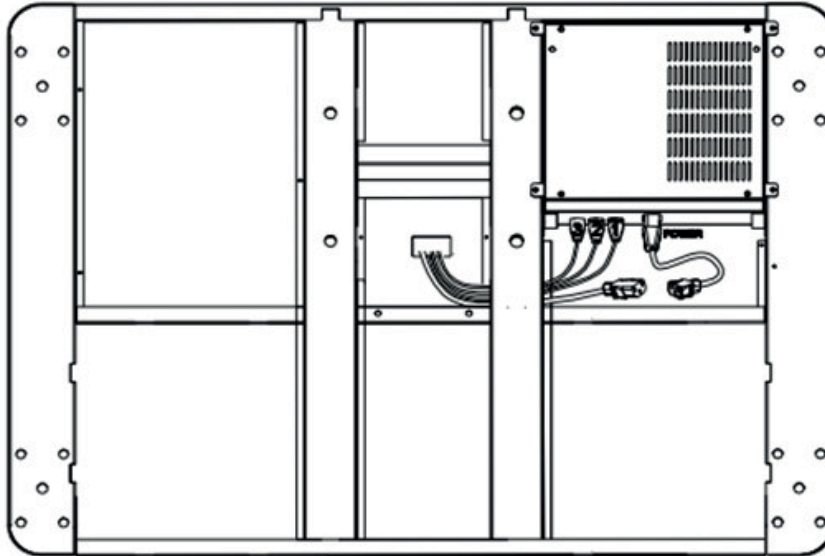
Step 3: Fix the vertical support onto the stand base.



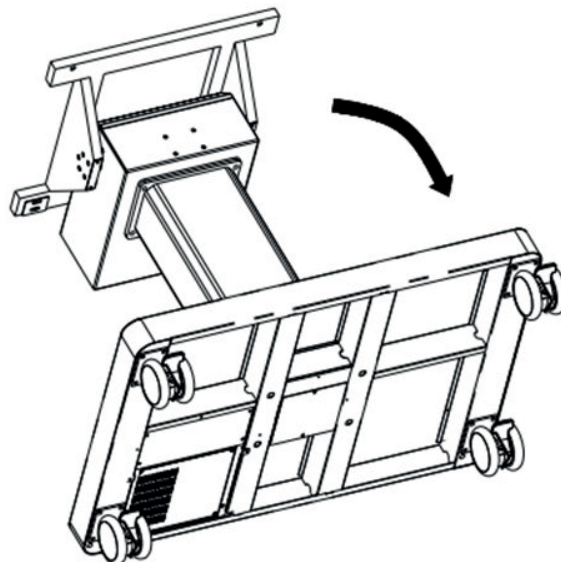
M10*75mm Screws x 4 units



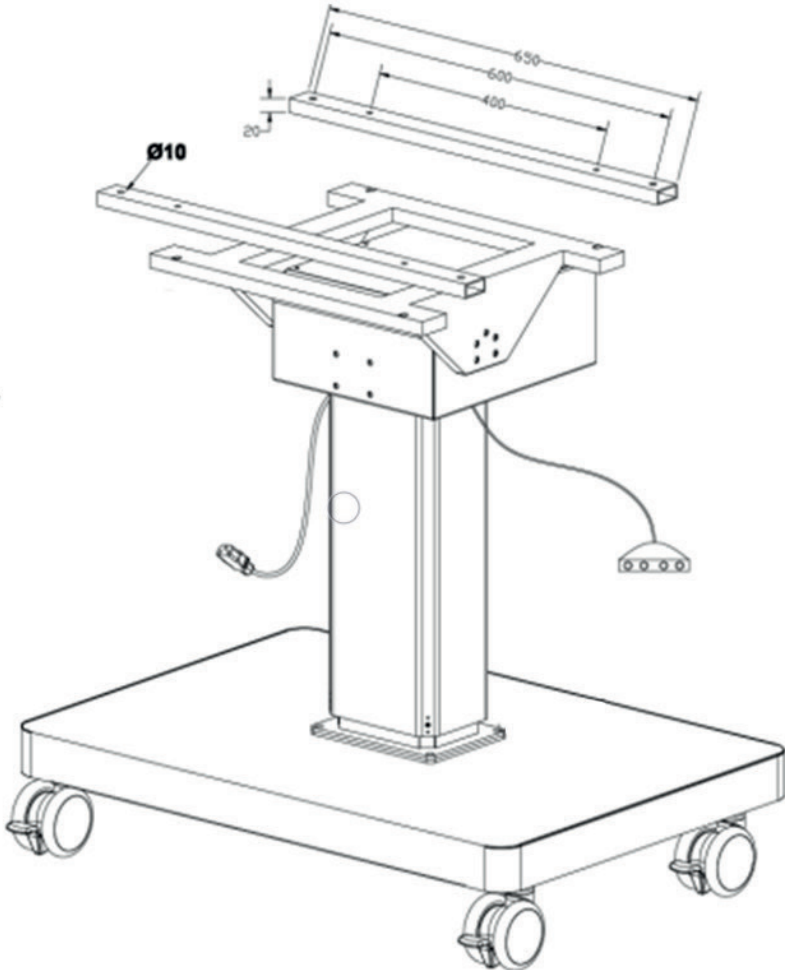
Step 4: Plug the cords into the ports through the holes (Plug correctly according to assigned number of cords).



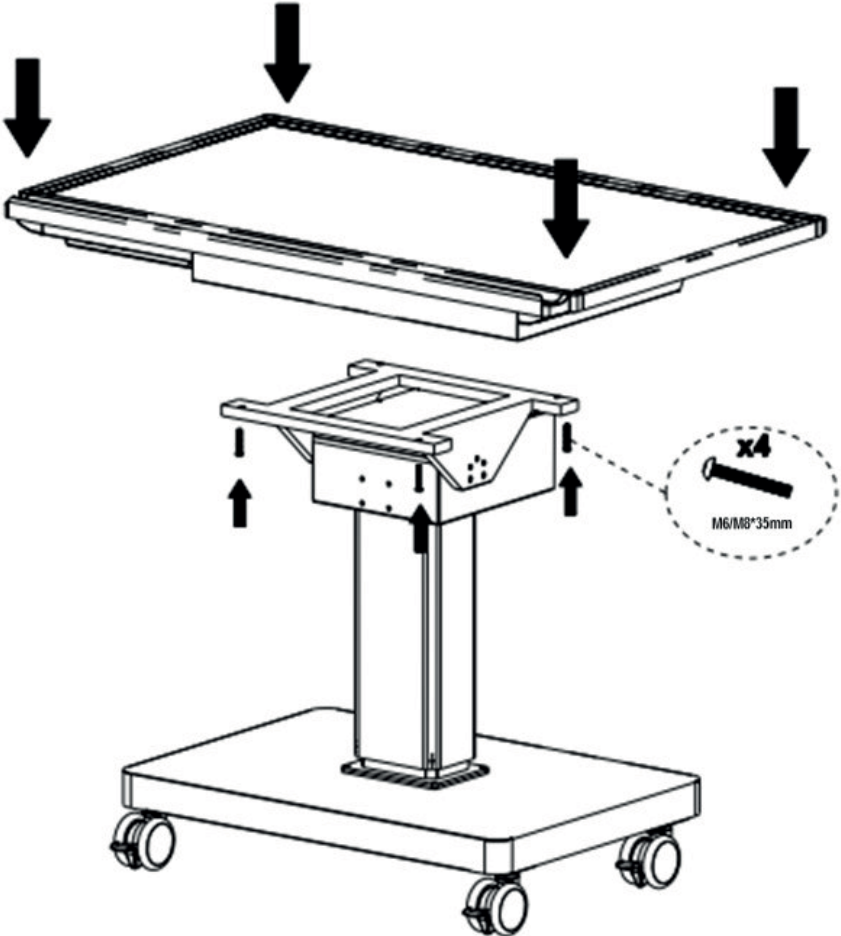
Step 5: Screw the two metal plates back and rotate the stand vertically.



Step 6: Fix the accessories onto the stand mounting (screw: M8*35mm).



Step 7: Hang the TV panel onto the stand and fix it by screw.



Notices

Every effort has been made to ensure all information contained in this user guide is correct, but the accuracy or completeness is not guaranteed. Before using this product, you must evaluate it and determine if it is suitable for your intended application. You assume all risks and liability associated with such use. Any statements related to this product which is not contained in this manual or any contrary statements contained on your purchase order shall have no force of effect unless expressly agreed upon, in writing, by this company.

Without this company permission, reproduction or reprinting this user guide or any part is prohibited. The contents of this user guide are subject to change without prior notice.