

# INSTALLATION MANUAL

ST-SUP-MOB-002

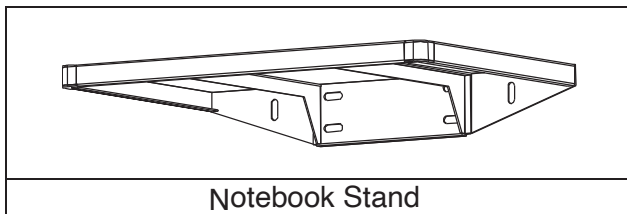
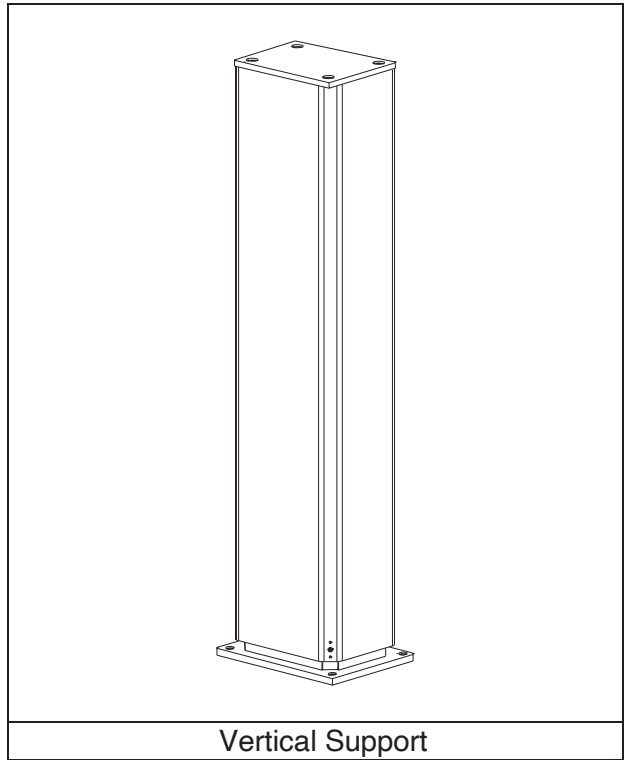
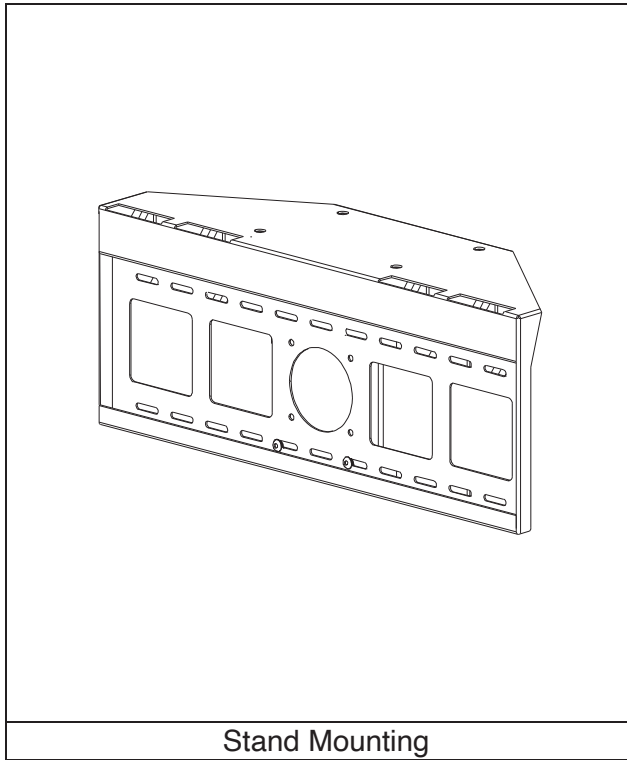


## Content

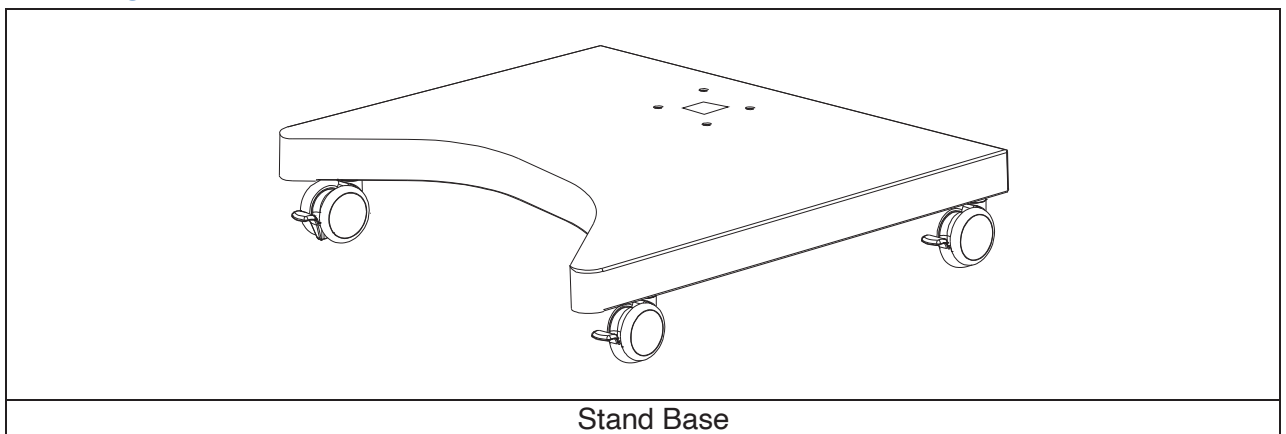
Packing Items.....	3
Packing Box 1.....	3
Packing Box 2.....	3
Screw Items.....	4
Tools Needed.....	4
Installation Instruction.....	5
Notices.....	10

## Packing Items

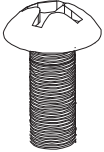





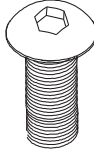

### Packing Box 1



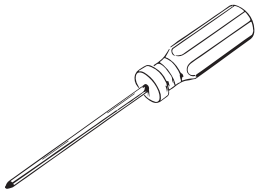



### Packing Box 2



Screw Items

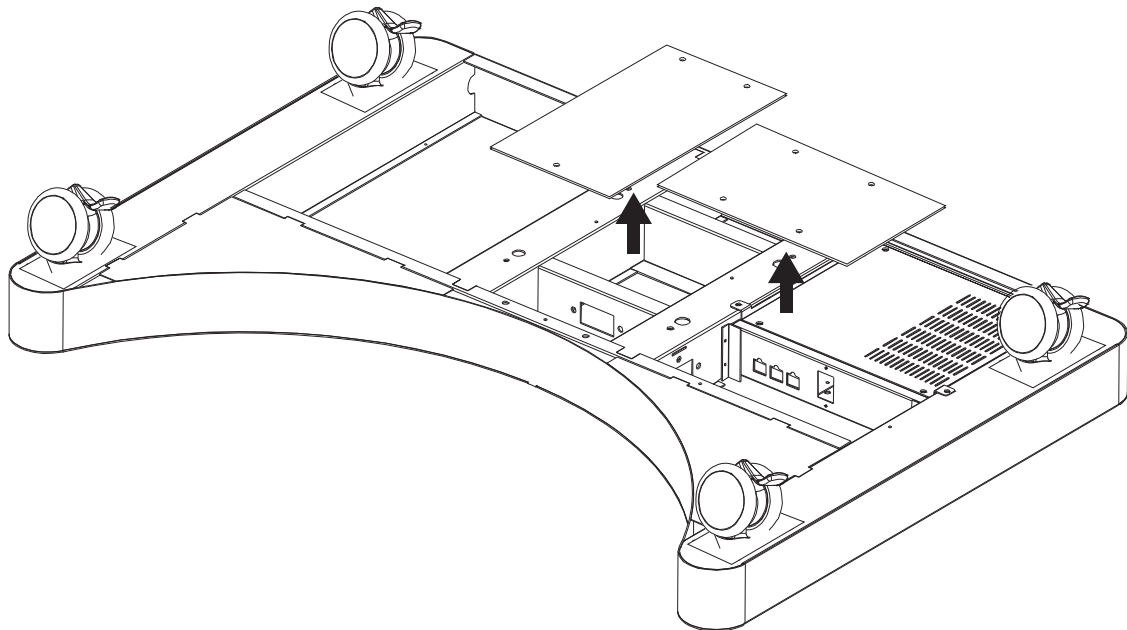
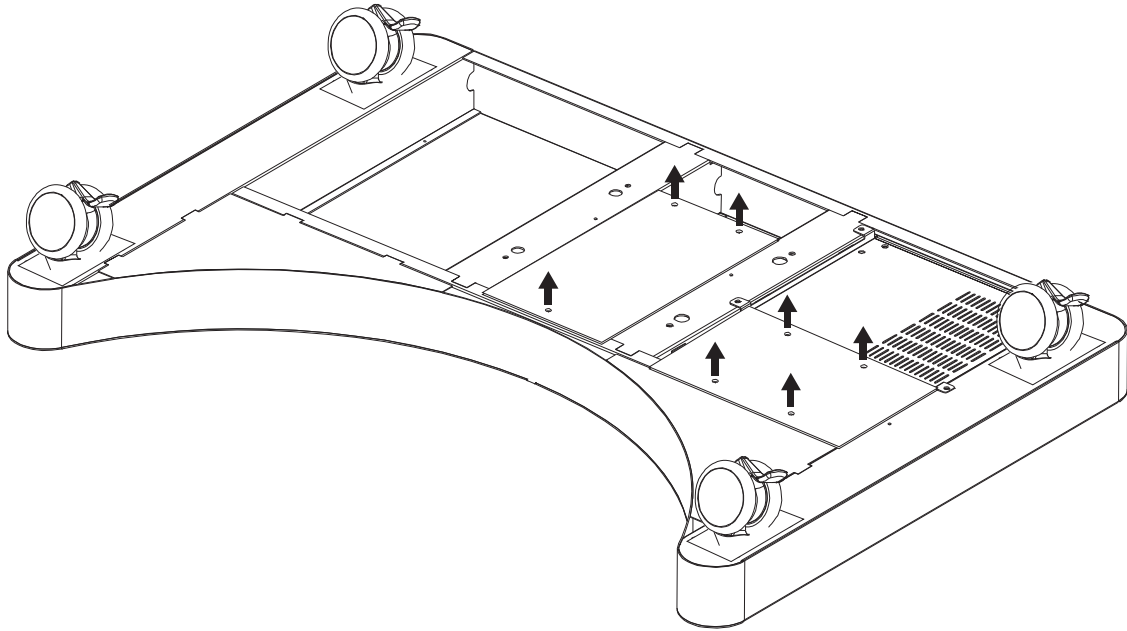
 <p>x 2 M6/M8*20mm</p>	 <p>x 2 M6/M8</p>	 <p>x 4 M10*12mm</p>	 <p>x 2 M6*8mm</p>
 <p>x 2 M6</p>	 <p>x 4 M10*75mm</p>	 <p>x 16 M8*20mm</p>	 <p>x 2 M6*45mm</p>

Tools Needed

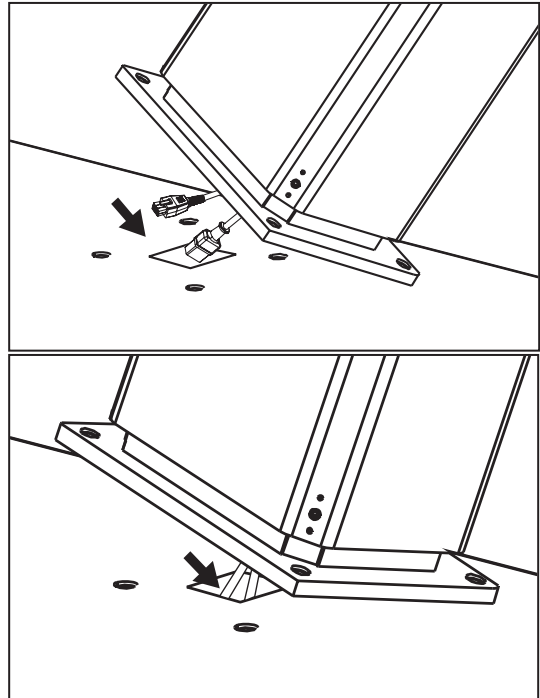
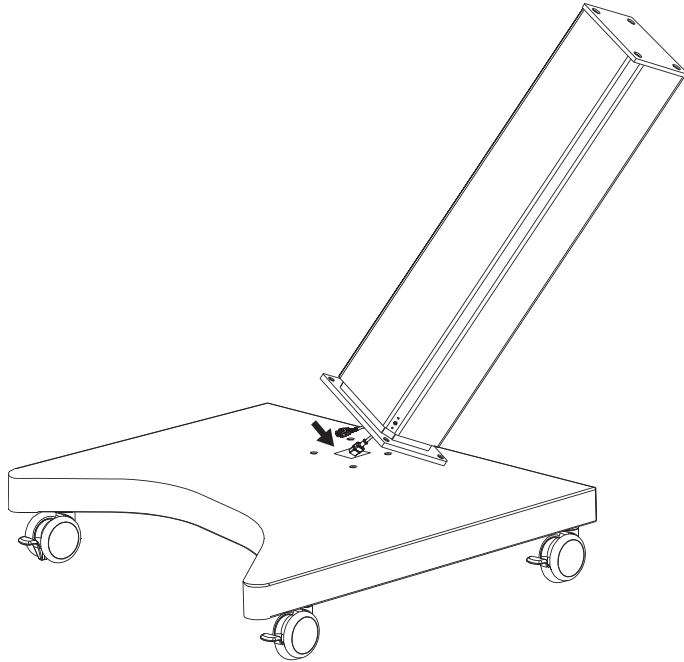
 <p>Cross Screwdriver</p>	 <p>M6 Hex wrench</p>	 <p>M5 Hex Wrench</p>	 <p>M4 Hex Wrench</p>
--	--	---	--

## Installation Instruction

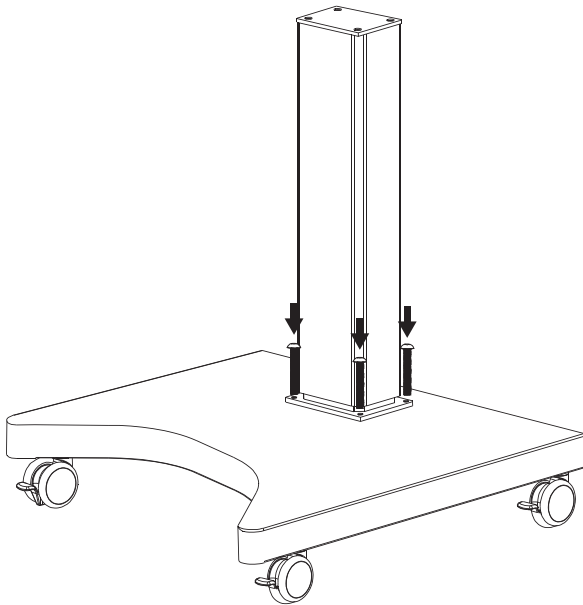
**Step 1:** Screw for picking the two mental plates out.



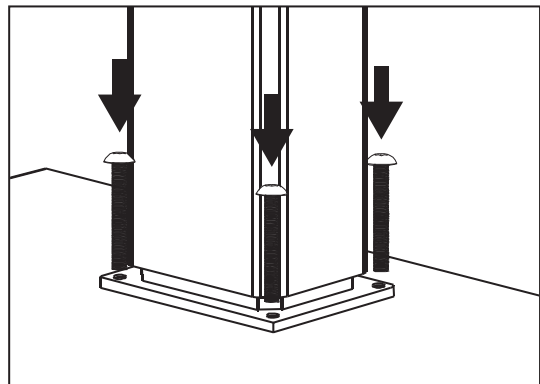
**Step2:** Push the two electric cords of the vertical support to the center hole of the stand base



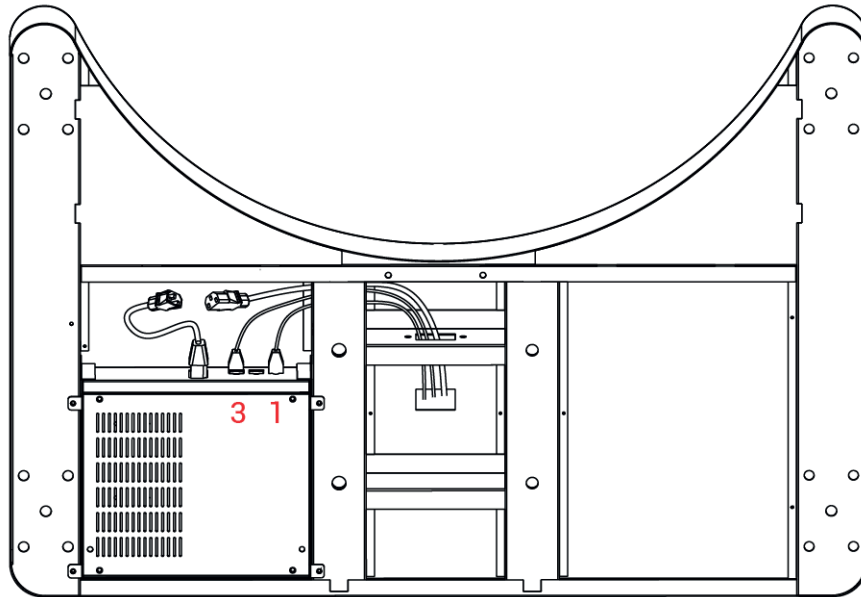
**Step3:** Fix the vertical support onto the stand base



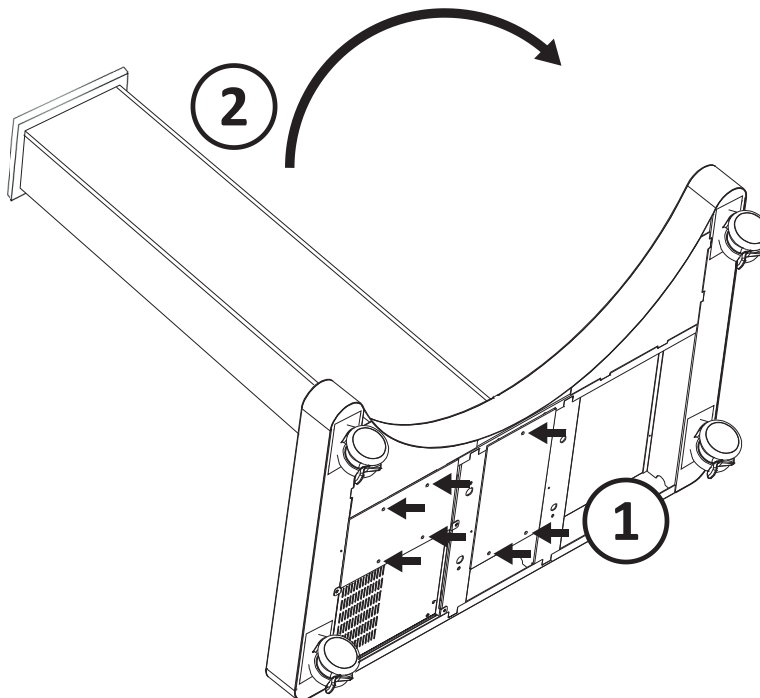
M10\*75mm Screws x 4 units



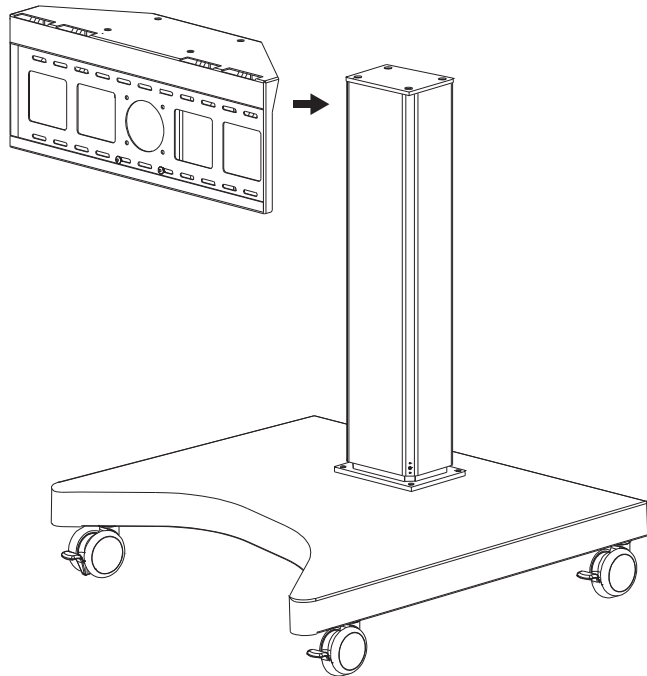
**Step4:** Plug the cords into the ports through the holes



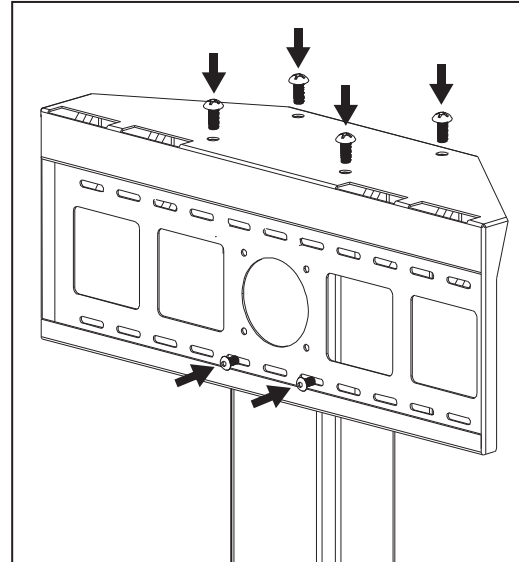
**Step5:** Screw the two metal plates back and rotate the stand vertically



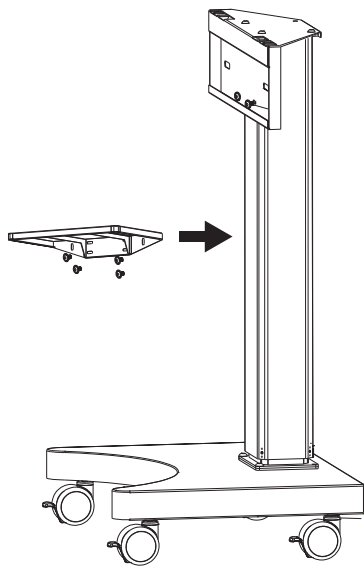
**Step6:** Fix the stand mounting onto the vertical support



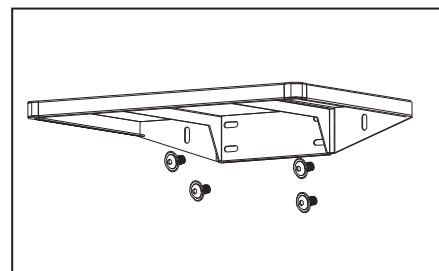
M10\*12mm Screws x 4 units  
M6\*8mm Screws x 2 units



**Step7:** Fix the note book stand onto the vertical support

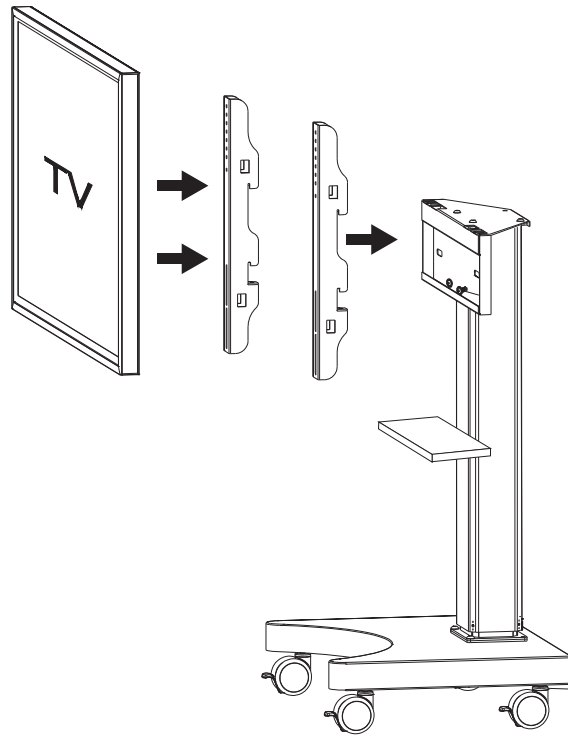


M6\* 6mm Screws x 4 units

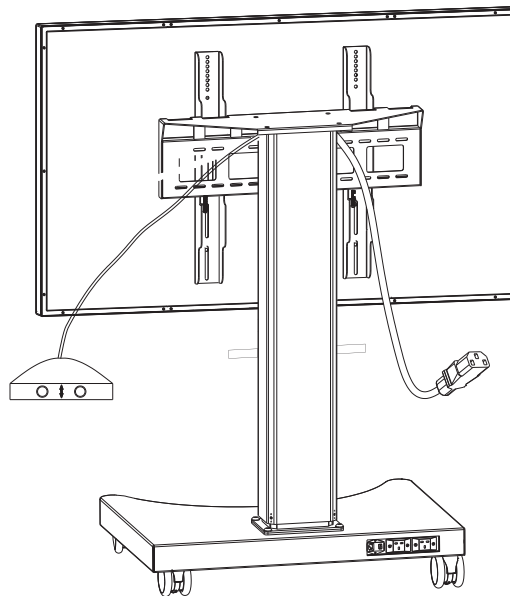




**Step8:** Hang the TV panel onto the stand



Final View



## Notices

Every effort has been made to ensure all information contained in this user guide is correct, but the accuracy or completeness is not guaranteed. Before using this product, you must evaluate it and determine if it is suitable for your intended application. You assume all risks and liability associated with such use. Any statements related to this product which is not contained in this manual or any contrary statements contained on your purchase order shall have no force of effect unless expressly agreed upon, in writing, by this company.

Without this company permission, reproduction or reprinting this user guide or any part is prohibited. The contents of this user guide are subject to change without prior notice