

Note: All the pictures in this manual are for reference only, subject to our available products.

### ◆ Safety Warnings

Before using this equipment, please read carefully and observe the following precautions to avoid dangerous or improper operations.

#### ★ Working Environment

- DO NOT expose the camera to any heat source (such as electric heaters).
- Use it in an environment with a temperature of 0~40℃ and humidity of 10% ~ 90%RH.
- DO NOT place the product in dusty and humid environments to avoid internal circuit fault.
- DO NOT expose the equipment directly to the sun to avoid a rising equipment temperature that affects the normal use of the equipment.

#### ★ Children Safety

- The product and its accessories may be composed of some small parts. Please place them beyond the reach of children to avoid potential dangers.
- The lens of this equipment is made of glass. If it is damaged, please handle it carefully to avoid being scratched by broken glass and keep it away from children.

#### ★ Power Supply

- If an external power supply is to be used, follow all safety guidelines for third-party power supply devices.

#### ★ Waterproofness

- The product is not waterproof. Please keep it dry.

#### ★ Repair and Maintenance

- Please contact professional service personnel for maintenance services.
- When the equipment is damaged, please do not disassemble it for repair without permission. Instead, please call the Customer Service Center for repair.
- DO NOT insert any sharp or pointed object into the device.
- DO NOT drop or strike the device to avoid damage.
- The temperature of the equipment may rise during operation, which is a normal phenomenon. In this case, turn off the device and let it cool before trying to use it again.

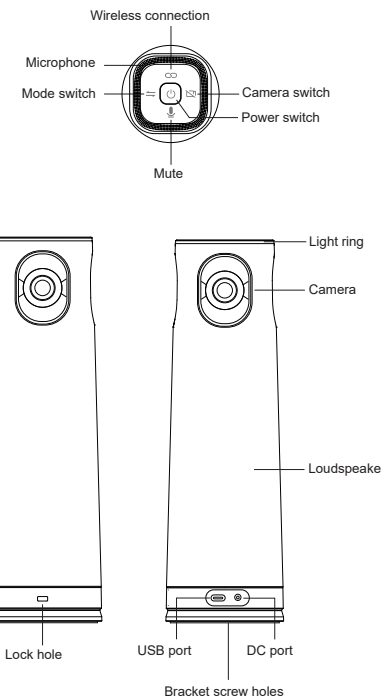
### ◆ Statement

- Intellectual property right statement: The hardware design and software of this product are covered by the patents. Anyone who reproduces this product or the content of the instruction without the authorization of the Company shall assume legal liabilities.
- This manual is for reference only, and the actual function of the final product is subject to the actual function of the product received by the customer.
- The picture is for reference only, please refer to the actual product. The company reserves the right to improve and change the appearance and design of the product without notice.

### ◆ Random Accessories

- USB Cable×1
- Remote Control×1
- Adapter×1
- Adapter Plug×1

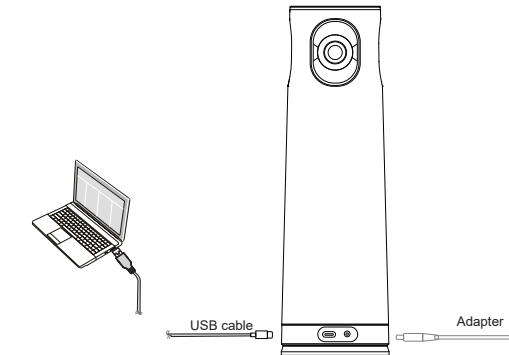
### ◆ Product Images



Item	Status Description
Light ring	<ol style="list-style-type: none"> <li>Boot-up process: After the white lights light up completely, a blue running light appears until the boot-up is completed.</li> <li>Shut-down process: The blue lights gradually go off after all of them light up.</li> <li>Volume adjustment: The blue lights indicate the volume level.</li> <li>DOA: The direction indicator shows the blue light.</li> </ol>
Power switch	Press and hold for 2s to power on, and the white light stays on continuously; Press and hold for 2s to power off, and the red light stays on continuously.
Camera switch	Press shortly to turn on the camera, and the white light stays on continuously. Press shortly to turn off the camera, and the red light stays on continuously.
Mute	Press shortly to turn on the microphone, and the white light stays on continuously. Press shortly to turn off the microphone, and the red light stays on continuously.
Mode switch	Press shortly for the white light to blink and switch between modes.
Wireless connection	<ol style="list-style-type: none"> <li>Wireless connection of remote control: Press and hold the device's wireless connection button for 8s and the remote control's wireless connection button for 3s to enter remote control pairing mode, and the white light flashes quickly; When the pairing is successful, the blue light stays on continuously; Press and hold for 8s to cancel the remote control pairing, and the white light flashes quickly.</li> <li>Wireless audio connection (optional): Press and hold for 2 seconds to start the wireless audio connection, and the blue light blinks; Press and hold for another 2 seconds to disconnect the wireless audio connection, and the blue light blinks; Press and hold for 2 seconds to turn off the wireless audio connection, and the white light stays on continuously; When the wireless audio connection fails, the white light stays on continuously; When the wireless audio connection is successful, the blue light stays on continuously.</li> </ol>

### ◆ Operating instructions

Please connect the equipment as shown in the following figure before using it.



- Connect the power adapter to the video conferencing equipment and press the power button to turn on the device. The light ring lights up and the running light indicates that the device is booting up. A prompt tone is played when the boot-up is complete.
- Connect the USB cable to the computer and press the mode switch button to select the desired display layout to output.



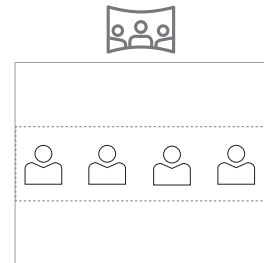
- Open the video conferencing platform (such as Tencent Meeting, Zoom, Microsoft Teams, etc.) to join the remote video conference and select the corresponding panoramic camera device driver.
- The volume can be controlled by the computer or remote control, and the microphone can be muted by the mute button.
- Turn off the device and disconnect the power when finished.

Note: This device needs to be connected to a 12V power supply to function properly!

## ◆ Mode Description

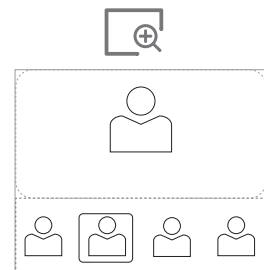
### ① Panoramic mode:

Four camera splicing, 360 panoramic high-definition display. This mode does not have AI functions.



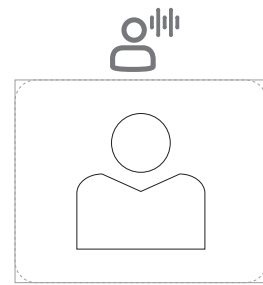
### ② Close-up mode:

In the panoramic view, select a specific area for display. Use the remote control to zoom in and out (5 levels) and move up, down, left, and right to select an area. The selected area has a fixed 16:9 aspect ratio. This mode does not have AI functions.



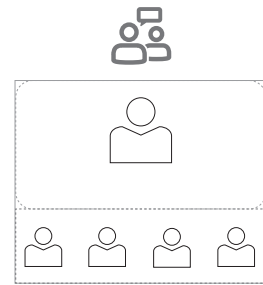
### ③ Voice tracking mode:

It has DOA sound source positioning recognition and displays the person speaking in full screen. The speaker will switch in 3 seconds automatically.



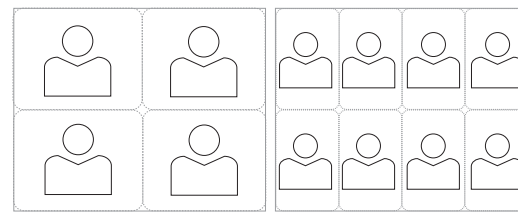
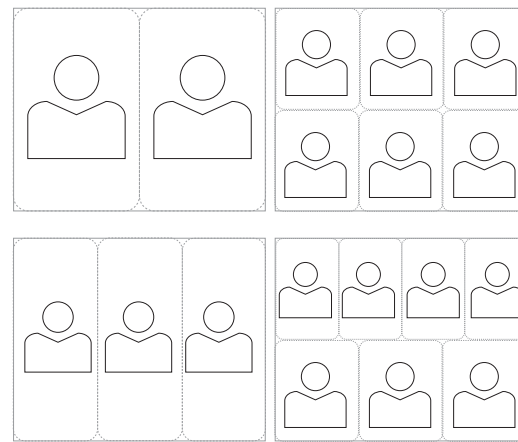
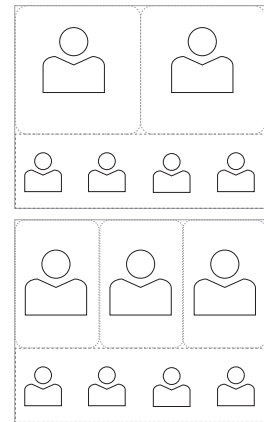
### ④ Discussion mode:

The 360 panoramic view is displayed at the bottom of the screen. The top shows an automatic layout of 1-3 speakers. If someone is not speaking, they will not be displayed. When more than 3 speakers are present, the fourth person speaking is automatically replaced by the person who spoke least recently, with dynamic entry and exit effects.



### ⑤ Intelligent gallery mode:

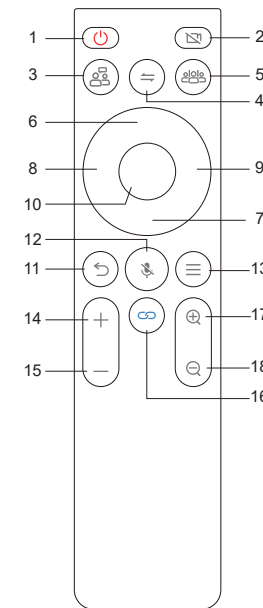
- Automatically identify people and automatically layout display, that is, 1-8 people have different layouts, with a maximum of 8 people.
- When the person moves a certain distance, it will automatically track and keep the person's head centered, with dynamic entry and exit effects when switching.



## ◆ Remote control function description

### Remote control pairing:

Press and hold the device's wireless connection button for 8 seconds to enter remote control pairing mode. Then, press and hold the remote control's wireless connection button for 3 seconds. If there is a prompt tone, it means that the device is connected to the remote control, and the device can be controlled by using the remote control.



No.	Item	Description
1		Power button
2		Turn on/off the camera
3		Discussion mode button
4		Mode switching (panoramic/close-up /voice tracking/discussion/intelligent gallery mode)
5		Intelligent gallery mode button
6	Up arrow key	Adjust upward
7	Down arrow key	Adjust downward
8	Left arrow key	Adjust leftward
9	Right arrow key	Adjust rightward
10	OK button	OK
11		Back key
12		Turn on/off the microphone
13		Menu key
14	+	Increase volume
15	-	Decrease volume
16		Wireless connection: Press and hold for 3s to pair
17		Zoom in
18		Zoom out

## ◆ Menu Settings

Press the Menu key to enter the following function adjustments:

Item	Default item	Adjustment range
Brightness	6	0-12
Sharpness	1	0-6
Contrast	115	0-255
Saturation	3	0-6
Autoframing sensitivity	Normal	Low, Normal, High
Frequency	60Hz	50Hz, 60Hz
Image Flip	Normal	Normal \H \V \H+V
OSD Flip	Normal	Normal \H \V \H+V
Reset	/	One-click restore